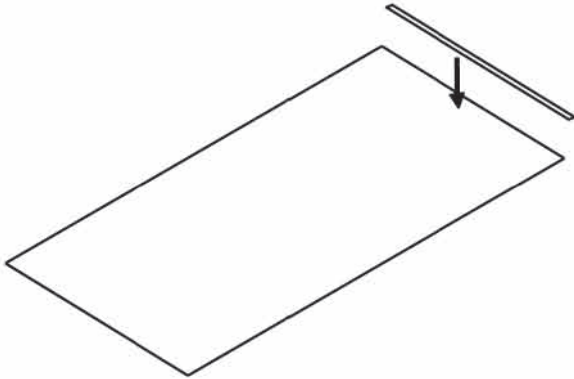


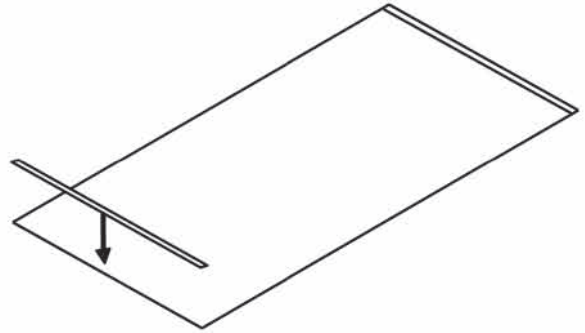
SOLO *graphic instruction*
 Roll-Up Banner Stand

1



Peel adhesive backing off Solo Strip. Line up flush with the top edge on the back of the banner and press down firmly.

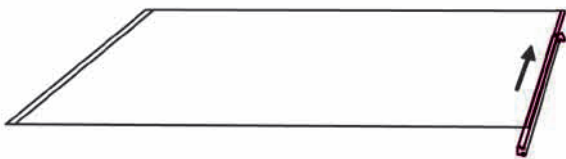
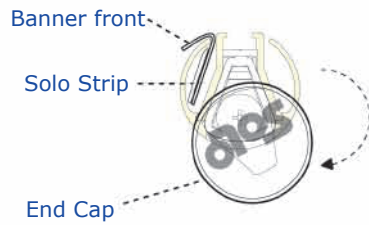
2



Repeat step 1 with the bottom edge on the back of the banner. You should now have two Solo Strips on the back of the banner.

3

End View - Top Bar



Swing open one end cap on the top bar and slide the top edge of the banner in, now reinforced with a Solo Strip, with the graphic facing out. Close end cap.

4

Front View - Base Bar



Note: you may choose to roll graphic on to the top bar for ease of handling.

Next, slide open one end cap on the base bar and slide the bottom edge of the banner in, now reinforced with a Solo Strip, with the graphic facing out. Close end cap.